

CHEETAH MS6 SCHEMATICS

While building an external power supply for a Cheetah MS6, I found some schematics that had been scanned at reasonably good resolution. Unfortunately, they had not been stitched together.

In my humble attempts to keep vintage gear alive, I have edited the document and provided pages to make reading the schematics a little easier for anyone who may need them.

MS6 Power Supply

MS6 D/A

MS6 Auto Correct and Noise

MS6 Voice 1

MS6 Voice 2

MS6 Voice 3

MS6 Voice 4

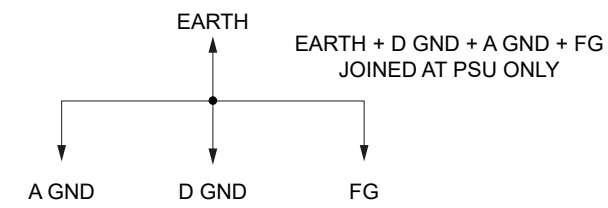
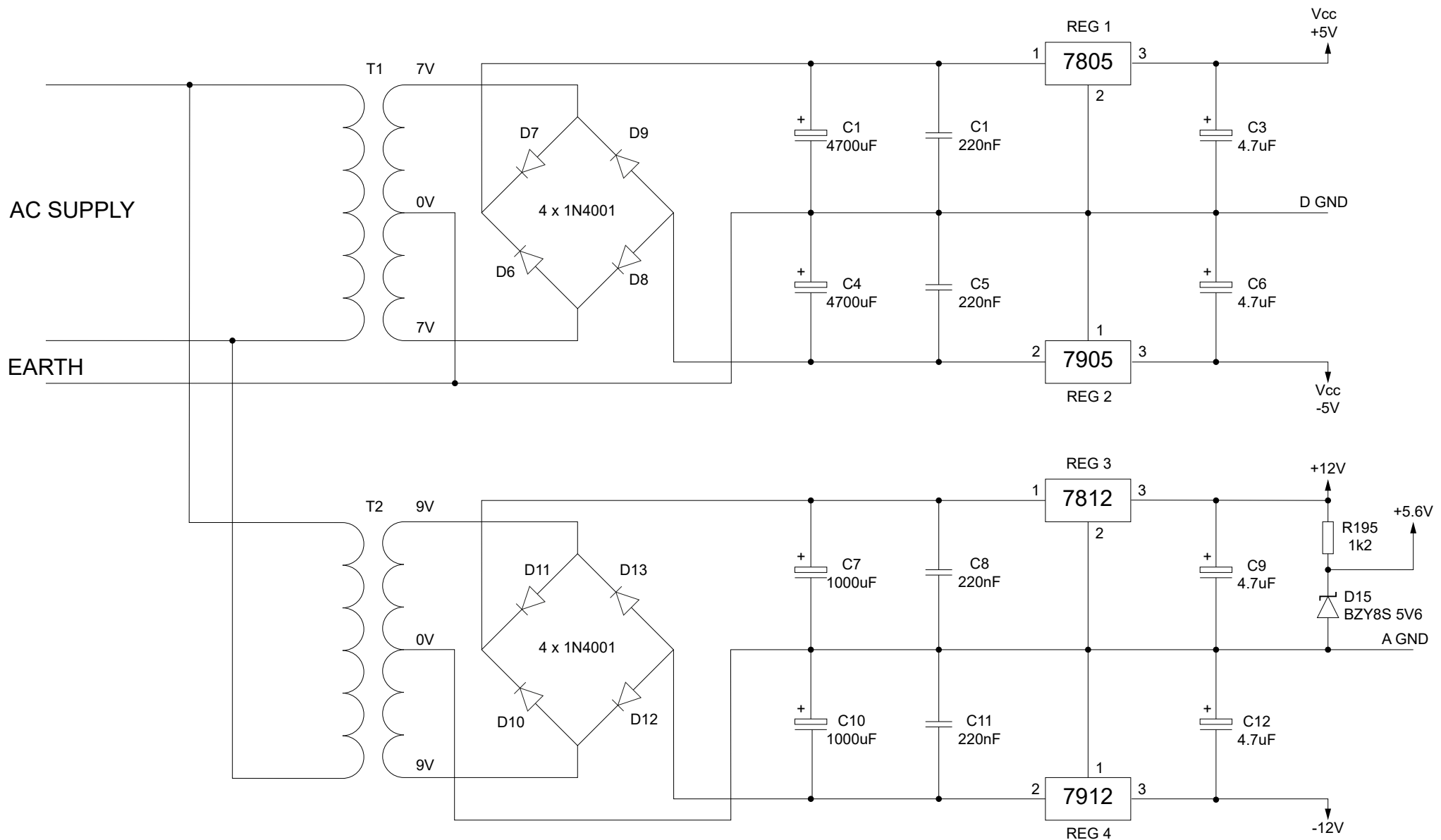
MS6 Voice 5

MS6 Voice 6

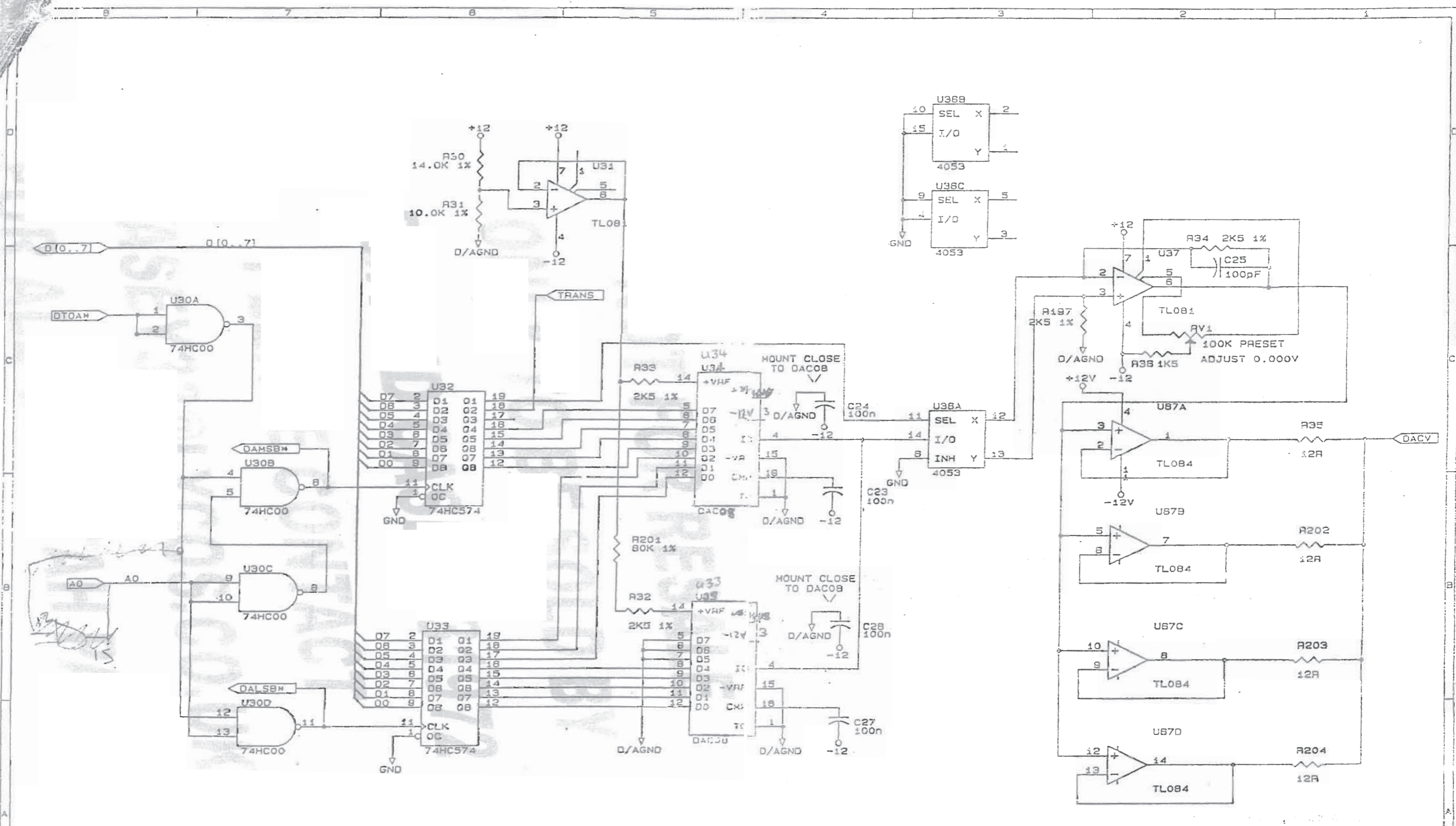
MS6 Sample & Hold and Decoupling

MS6 CPU Part A (MIDI, display and buttons)

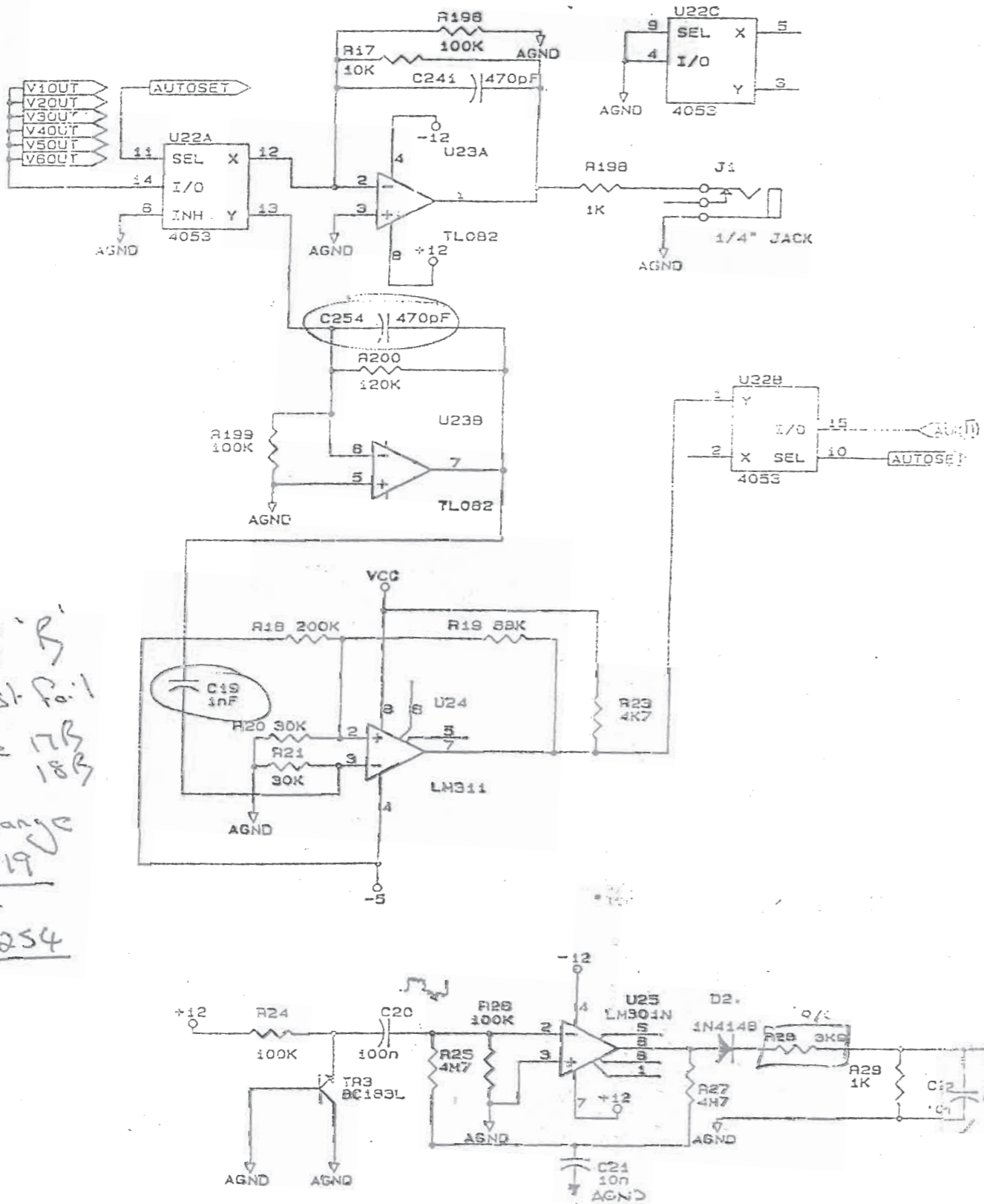
MS6 CPU Part B (DCOs, SRAM, processor, battery back-up)



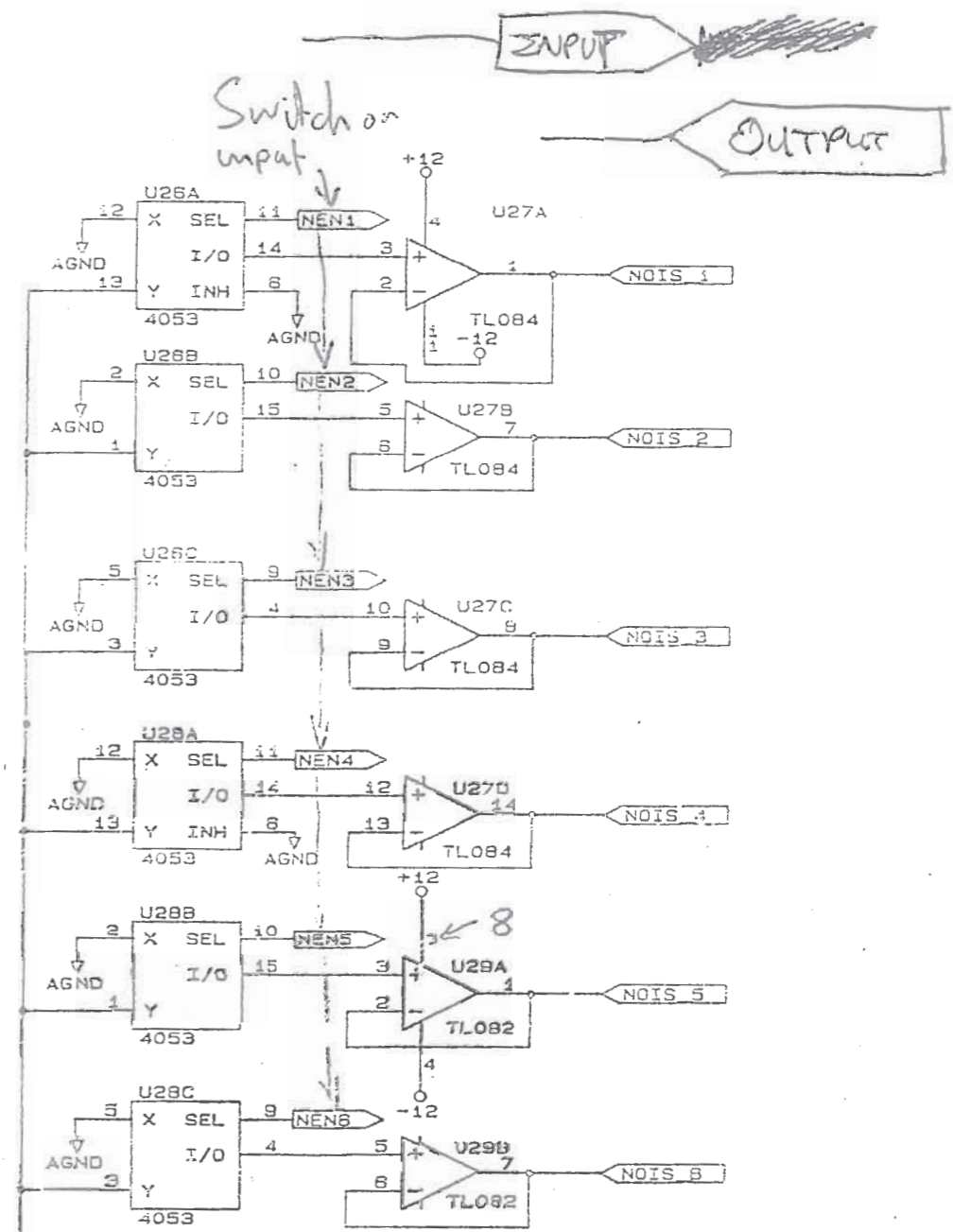
CHEEATH MS6 POWER SUPPLY
 ALEXANDER BHINDER
 PLASMA MUSIC LIMITED
 19th JANUARY 2025



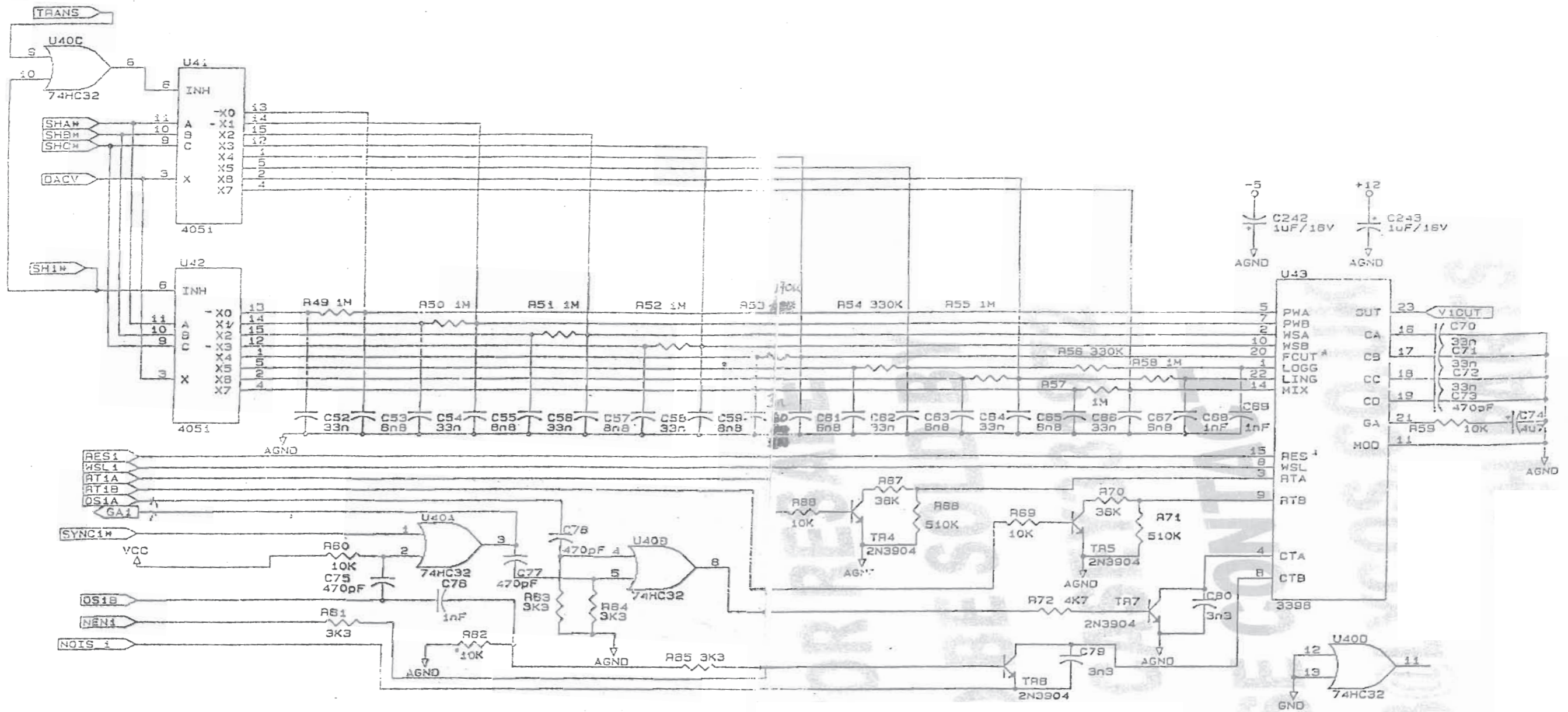
Title		MSB D/A Circuit Diagram	
Size	Document Number	REV	
8	MSB1011		
Date:	March 13, 1990	Sheet	2 of 12



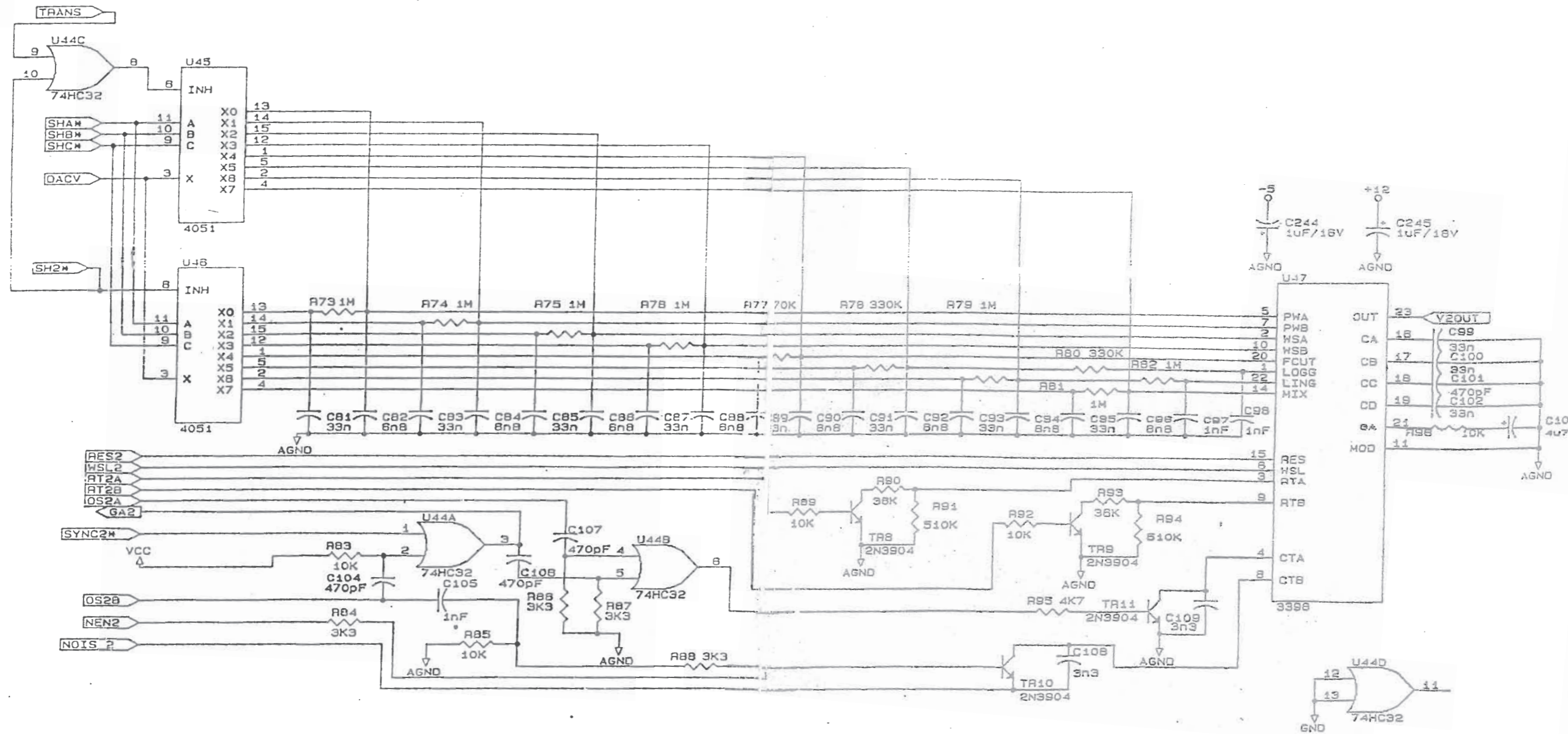
if 'R'
 test fail
 i.e 17B
 18B
 change
 C19
 or
 C254



Title		
MSB AUTO CORRECT + NOISE CCT DIAGRAM		
Size: Document Number		REV
B	MSB1011	B
Date:	March 13, 1990	Sheet 3 of 12

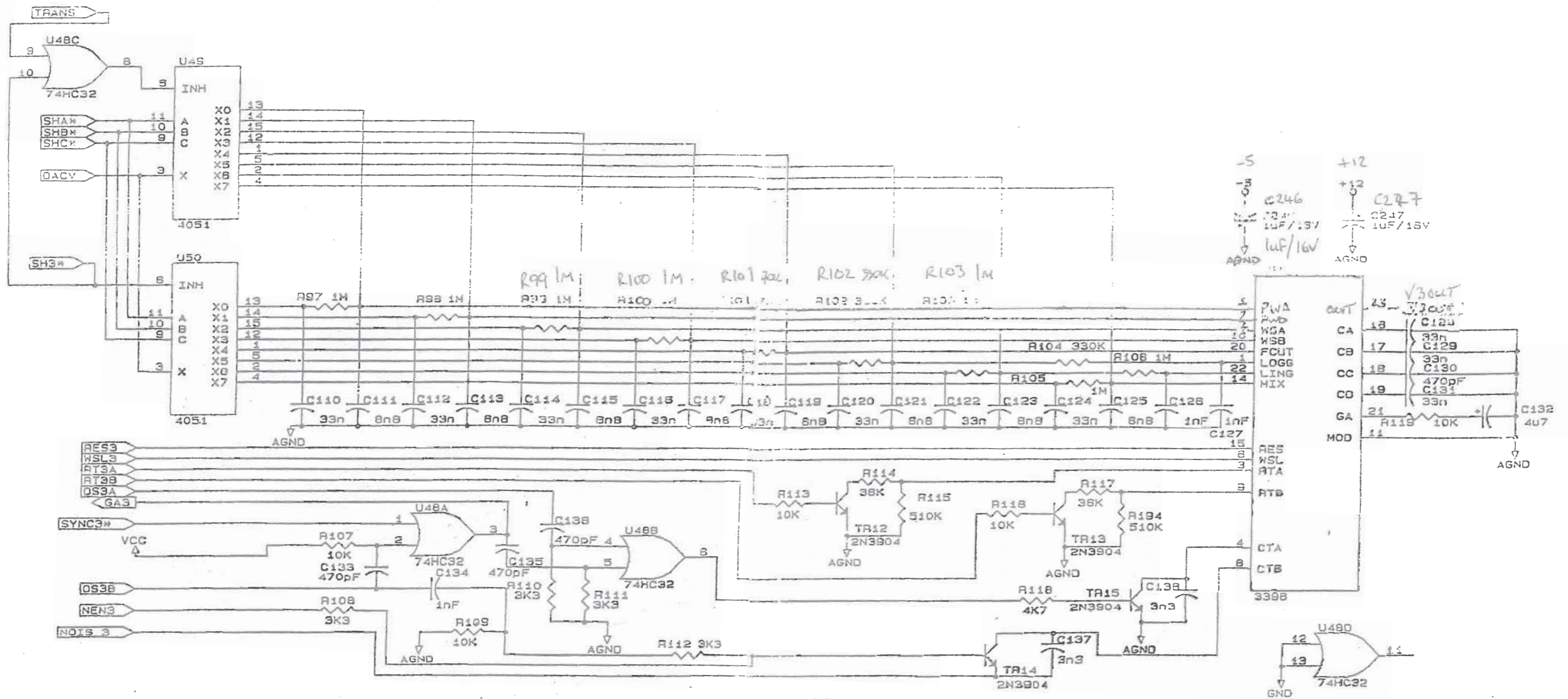


Title		
MSB VOICE1 CCT DIAGRAM		
Size	Document Number	REV
B	MSB1011	B
Date:	March 11, 1990	Sheet 4 of 12

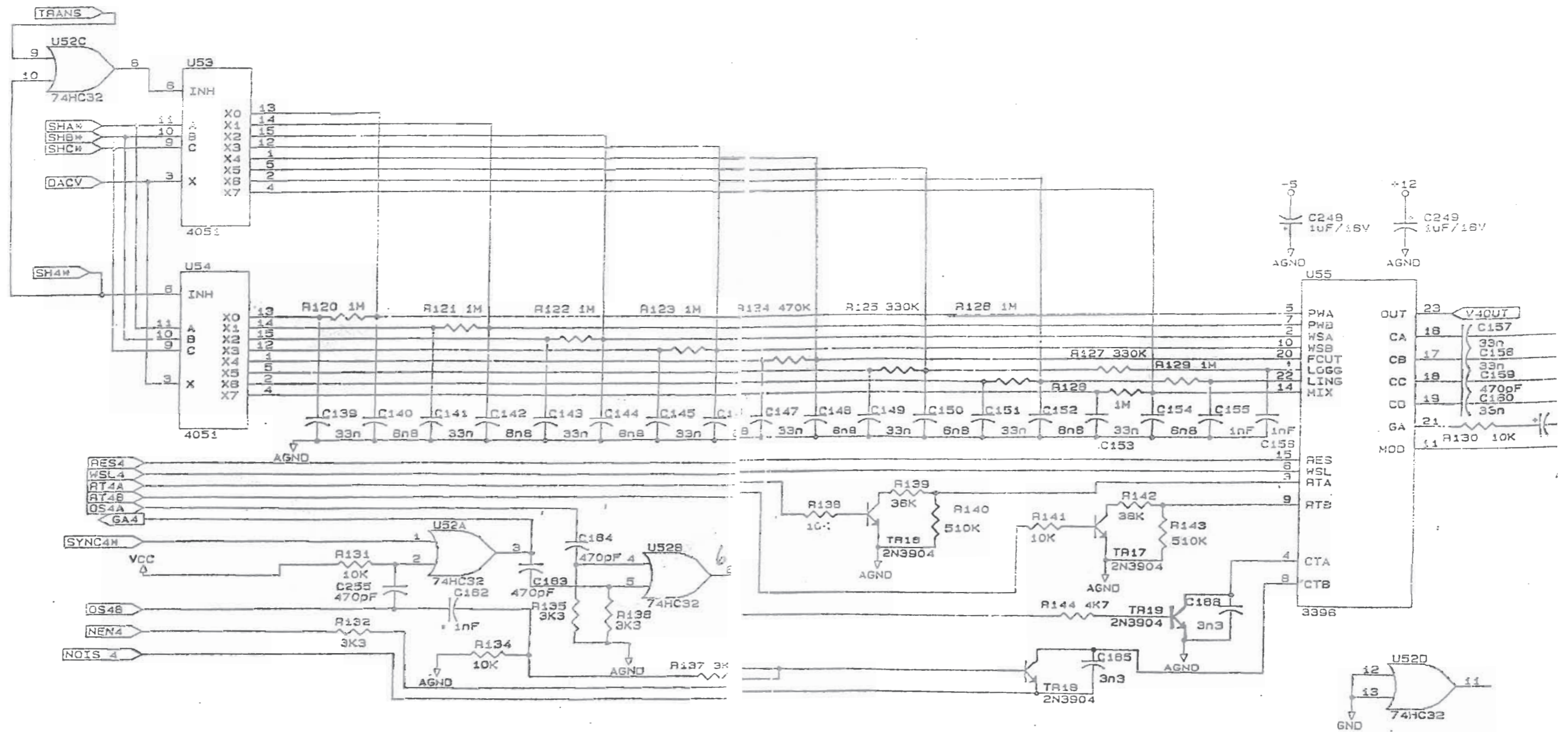


OS2A -13 } U10
 GA2 -14 }

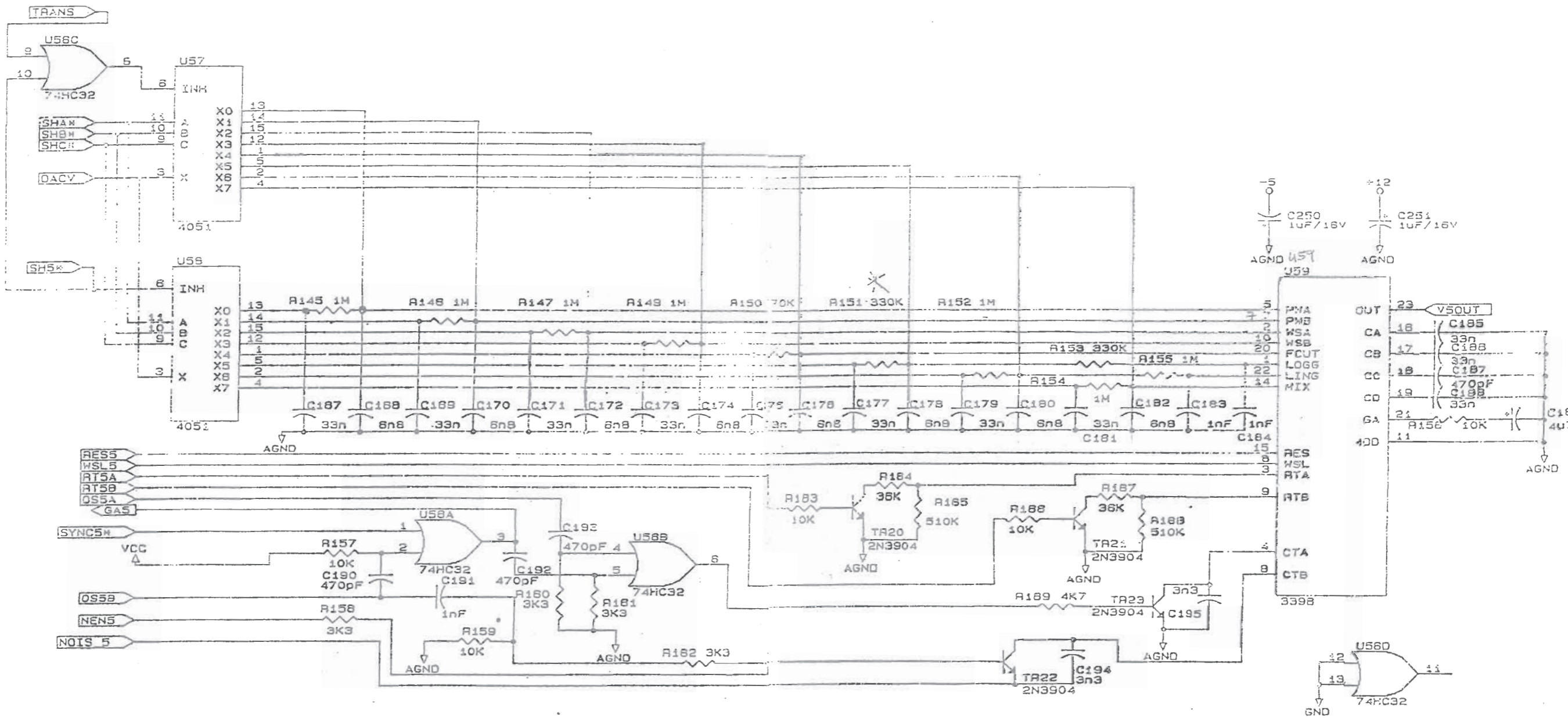
Title		MS6 Voice 2	
Size Document Number		MS61011	
Date:	March 4, 1990	Sheet	5 of 12



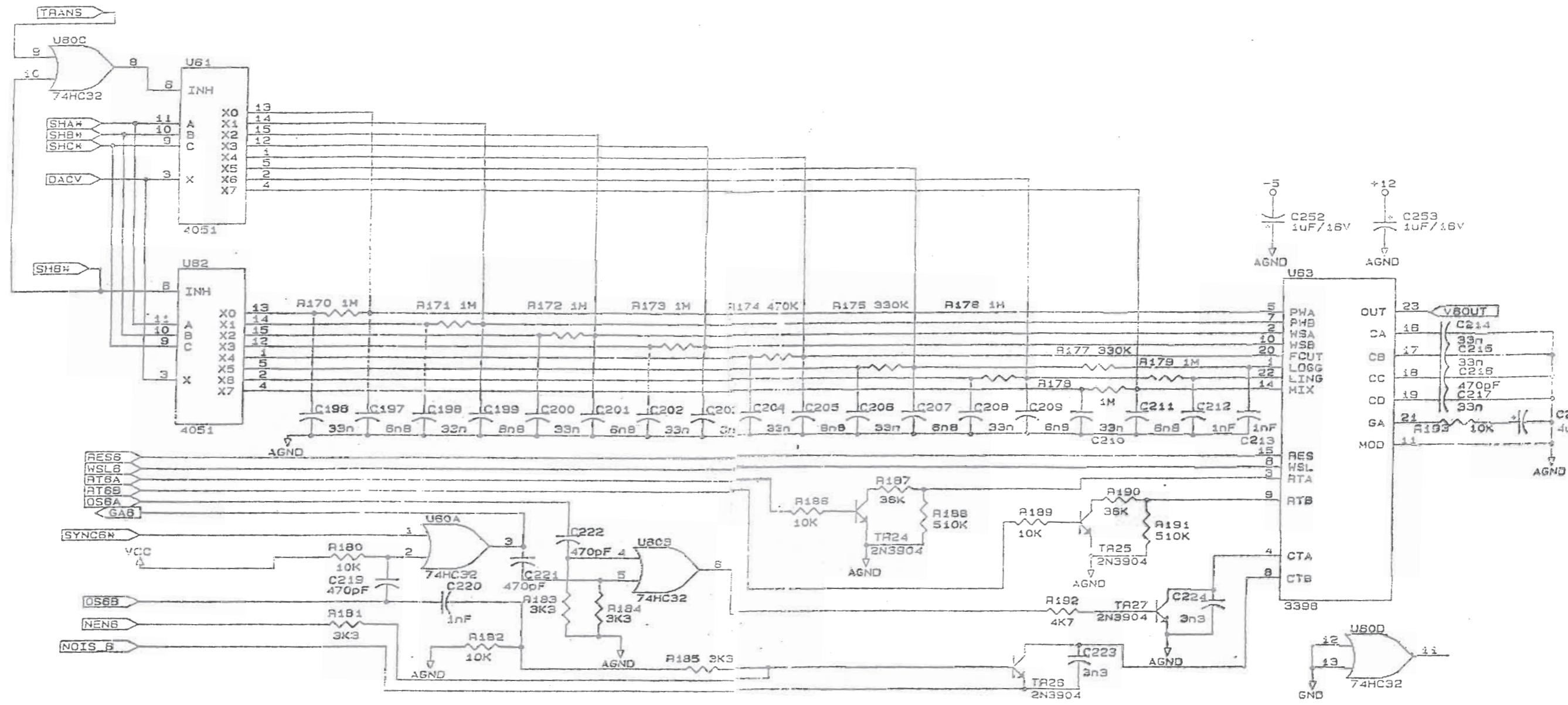
Title		
MSB 702223 CCT DIAGRAM		
Size	Document Number	REV
B	MSB1011	B
Date:	March 4, 1990	Sheet 8 of 12



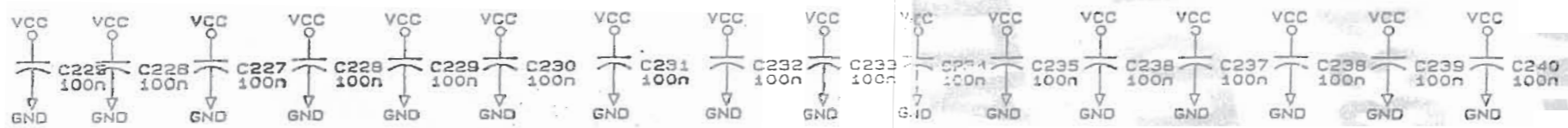
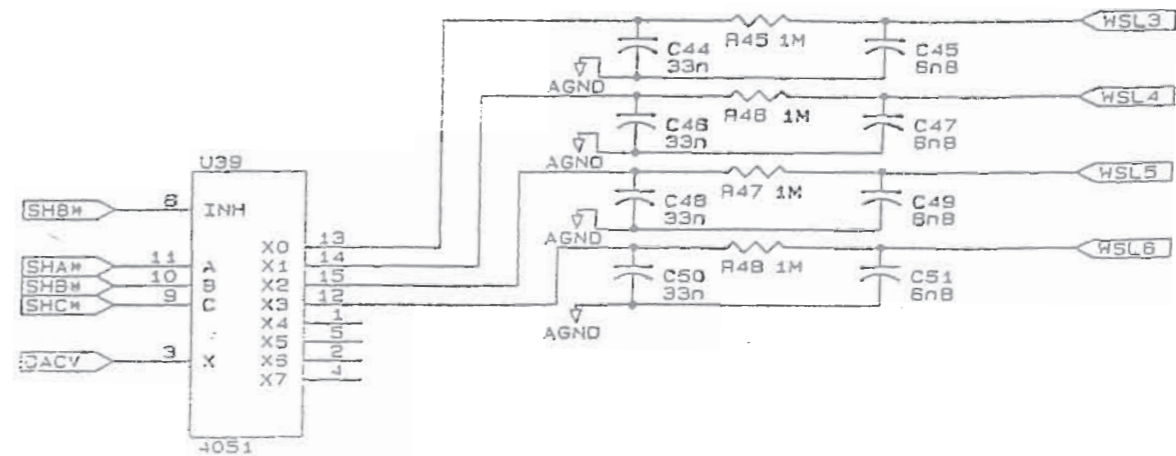
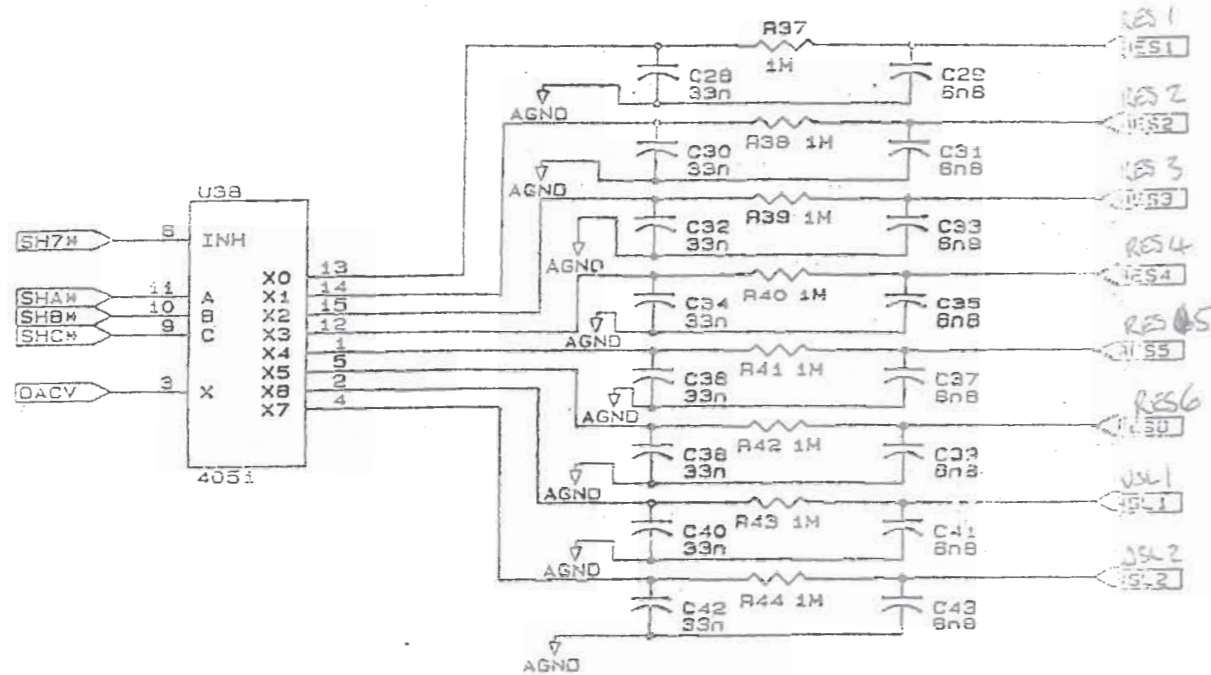
Title		MSS VOICE4 CCT DIAGRAM	
Size		Document Number	
B		MS51012	
Date:	March 4, 1990	Sheet	7 of 7
	2		1



Title		
MSB VOICES CCT DIAGRAM		
Size	Document Number	REV
B	MSB101:	B
Date:	March 11, 1990	2 of 12



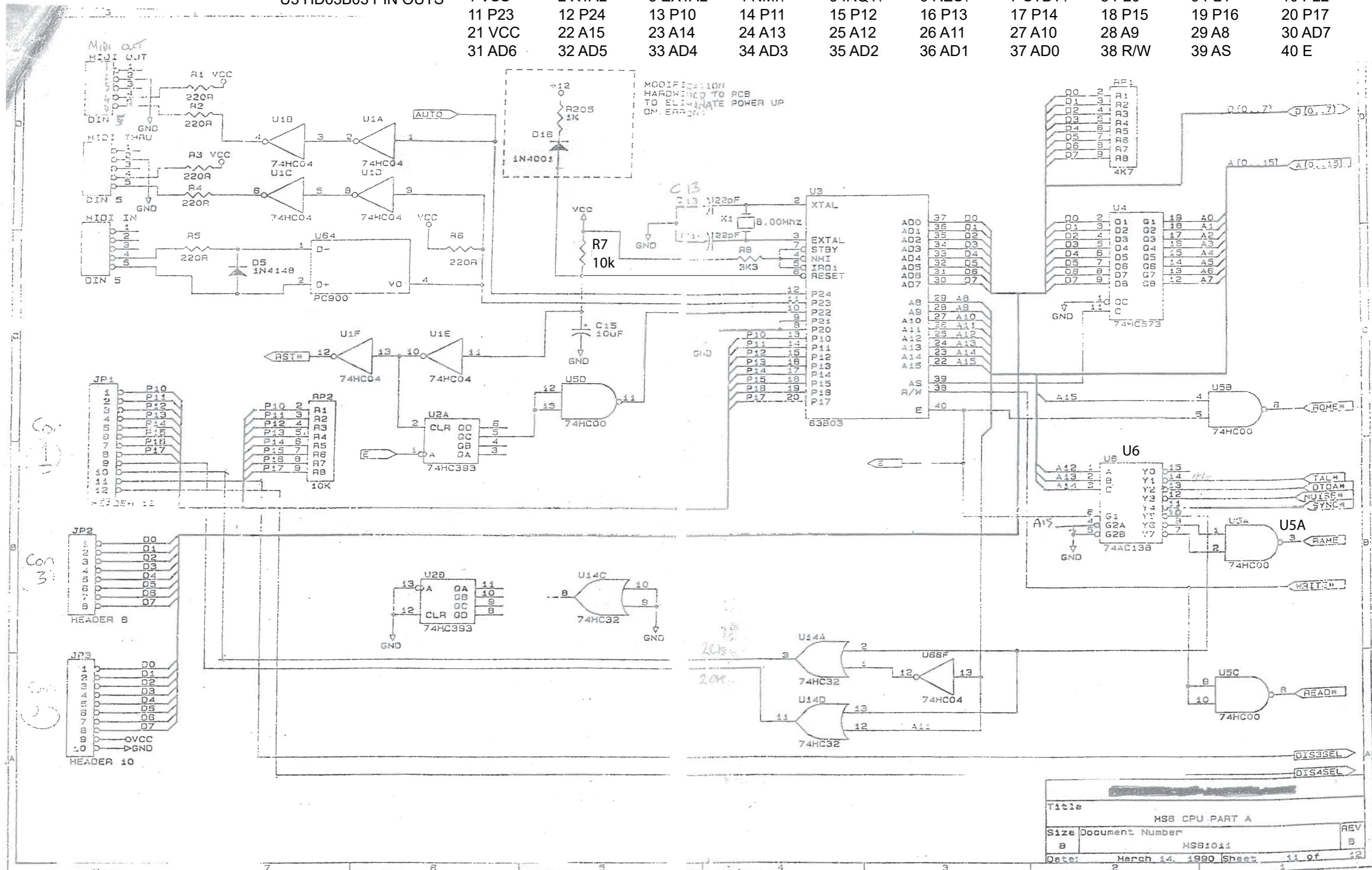
Title		
MSB VOICES CCT DIAGRAM		
Size	Document Number	REV
B	MSB1011	B
Date:	March 4, 1990	Sheet 9 of 12



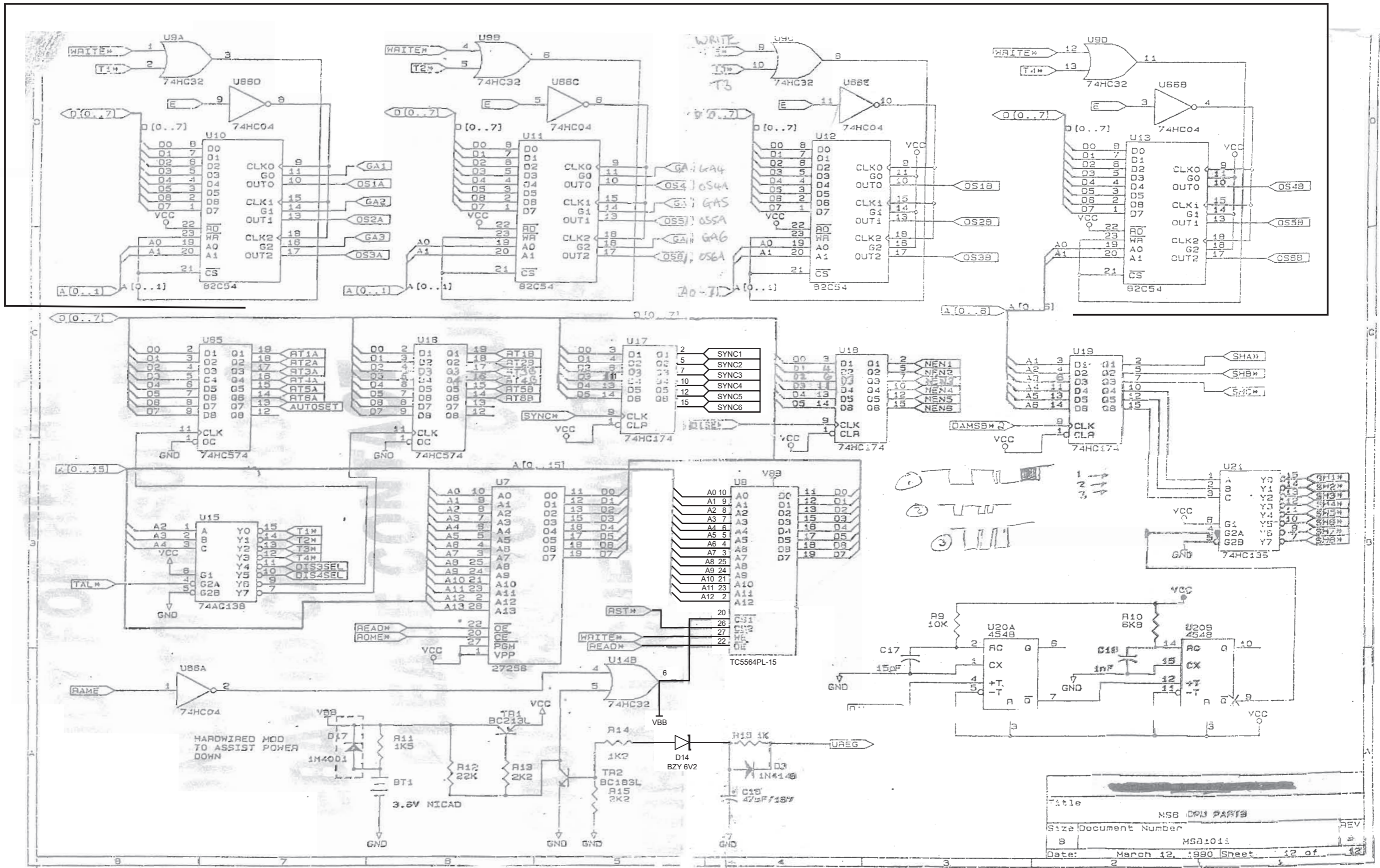
Title		
MS6 MISC SAMPLE + HOLD + DECOUPLING		
Size	Document Number	REV
B	MS61011	B
Date: February 25, 1990 Sheet 10 of 12		

U3 HD63B03 PIN OUTS

1 VSS	2 XTAL	3 EXTAL	4 NMI\	5 IRQ1\	6 RES\	7 STBY\	8 P20	9 P21	10 P22
11 P23	12 P24	13 P10	14 P11	15 P12	16 P13	17 P14	18 P15	19 P16	20 P17
21 VCC	22 A15	23 A14	24 A13	25 A12	26 A11	27 A10	28 A9	29 A8	30 AD7
31 AD6	32 AD5	33 AD4	34 AD3	35 AD2	36 AD1	37 AD0	38 R/W	39 AS	40 E



DCO



Title	MSB CPU PARTS	
Size	Document Number	REV
B	MSB:011	
Date:	March 12, 1990	Sheet 12 of 12